

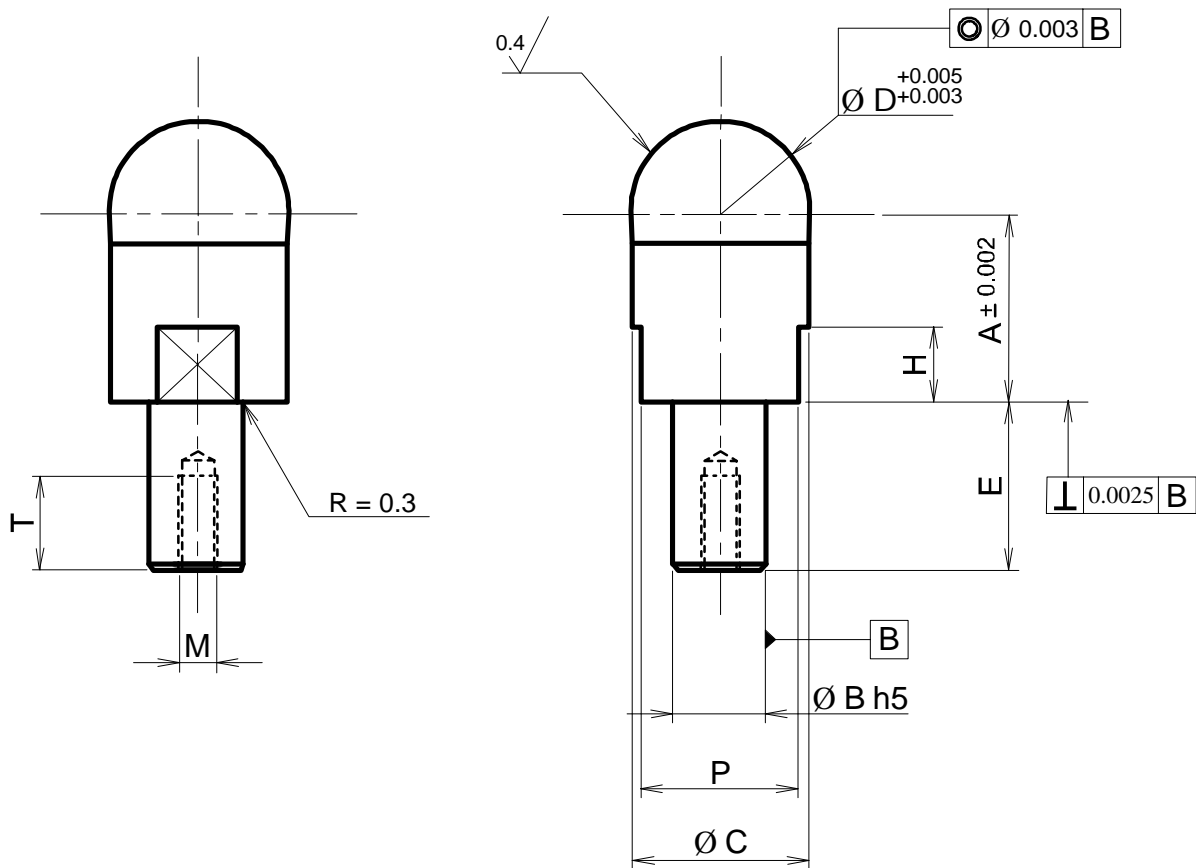
SPHERICAL BEARING POINTS

Type AS

Spherical bearing points are designed for use as positioning bearings for movable parts when tooling or controlling. They are made up of a tungsten carbide ball soldered onto a steel shaft and coated with titanium nitride.

Positioning is very precise because of their high geometrical qualities and robustness.

The titanium coating gives them great surface hardness and long-lasting resistance. The golden yellow colour of this coating makes it possible to check the good condition of the bearing points. When the coating wears away, bare carbide shows and grey stains appear.



| Reference | $\varnothing D$ | A | $\varnothing B$ | E | M | T | $\varnothing C$ | P | H |
|-----------|-----------------|-------|-----------------|----|---|----|-----------------|----|---|
| AS8 | 8 | 8 | 4 | 8 | 2 | 6 | 7.5 | 6 | 5 |
| AS10 | 10 | 10 | 5 | 10 | 3 | 7 | 9.5 | 8 | 6 |
| AS12.7 | 12.7 | 10.16 | 6.35 | 14 | 3 | 10 | 12 | 10 | 7 |
| AS20 | 20 | 20 | 10 | 18 | 4 | 10 | 19 | 17 | 8 |